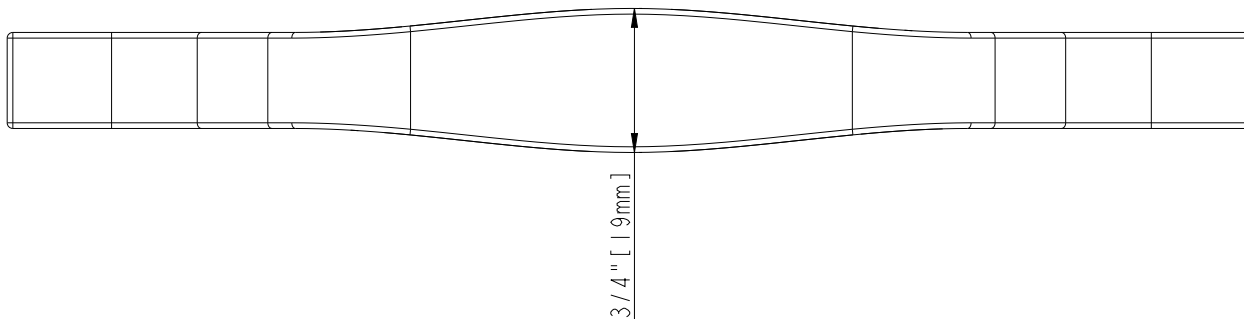
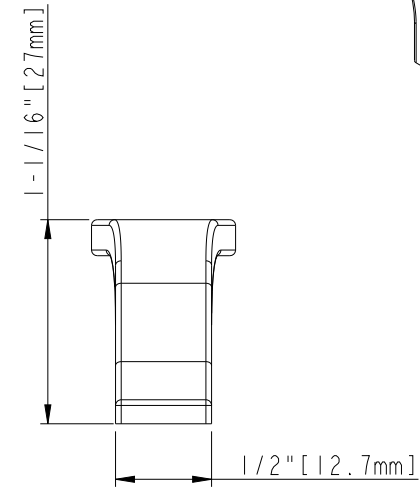
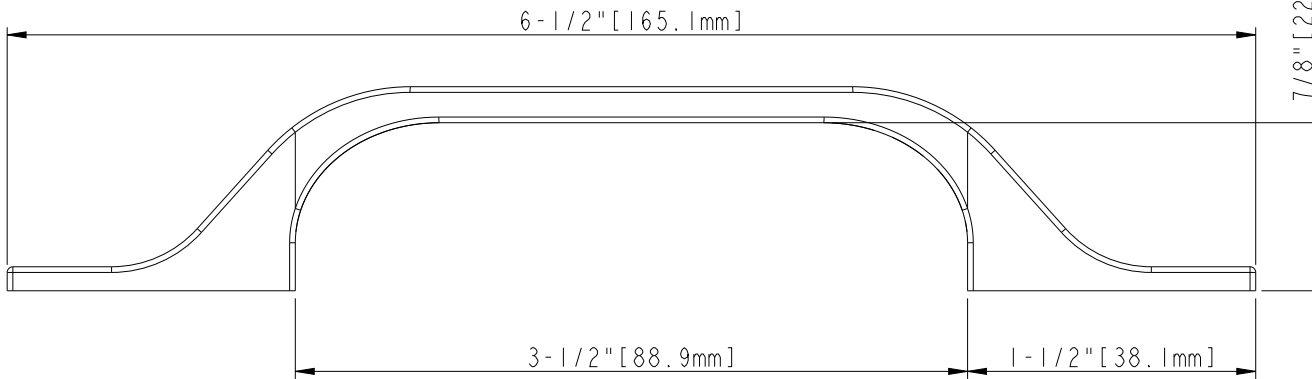
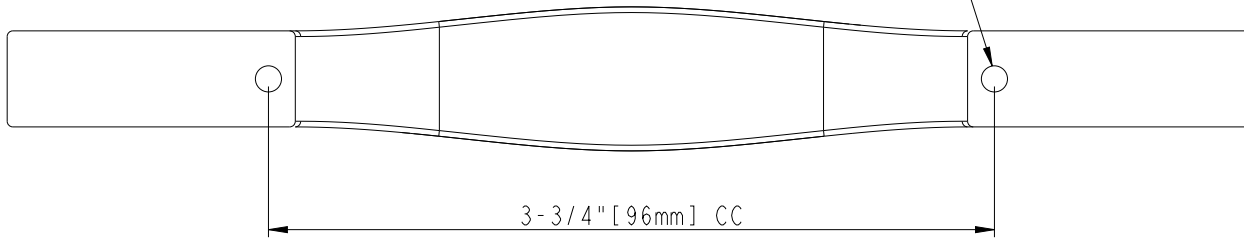


8-32 UNC - ∇ 1/2"



ACCESSORY:
 SCREW: 8-32x1" 2PCS
 BREAK AWAY SCREW: 8-32x45 2PCS
 ALL SCREW MATERIAL: STEEL-SAE1006

	ITEM#: 382-96	MATERIAL: Zamak 3
	Finish:	WEIGHT: 96.0g/0.213lbs
PROPRIETARY AND CONFIDENTIAL THE INFORMATION CONTAINED IN THIS DRAWING IS THE SOLE PROPERTY OF HARDWARE RESOURCES INC. ANY REPRODUCTION IN PART OR AS A WHOLE WITHOUT THE WRITTEN PERMISSION OF HARDWARE RESOURCES INC. IS PROHIBITED.	UNITS: TOLERANCE UNLESS OTHERWISE SPECIFIED: X ±0.20 X.X ±0.10 X.XX ±0.05 ANGULAR: ±0.5°	PROJECTION:
DO NOT SCALE DRAWING	DRAWN BY: Alexander.W APPROVED BY:	DATE: Dec-17-20 DATE: REVISION: